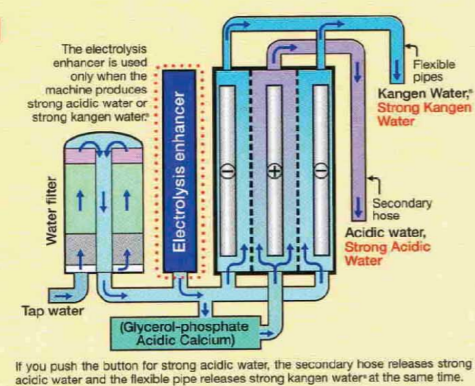


Conserve energy as you produce both strong acidic water and strong Kangen Water®

1
An ecofriendly, energy-saving machine

An energy-saving machine that allows you to easily produce strong acidic water and strong Kangen Water®.

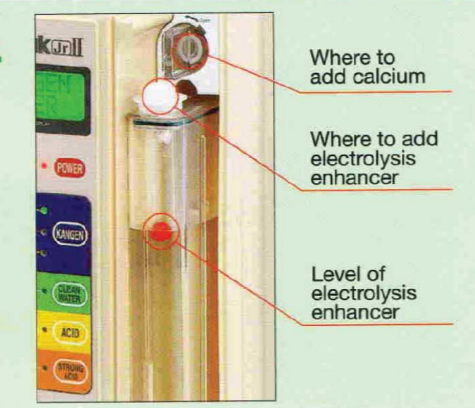
It is possible to produce a substantial amount of electrolyzed water with ORP values ranging from +1130mV to -800mV. This design is made possible by loading an electrolytic cell with three electrode plates made of platinum plated titanium. (Depending on the choice of re-sulting water and original water) This machine reduces power consumption and makes it possible to obtain strong acidic water and strong Kangen Water® easily.



2
Equipped with an electrolysis enhancer tank

Equipped with an electrolysis enhancer tank, Strong Acidic Water and Strong Kangen Water® runs steadily and continuously.

The built-in tank for the electrolysis enhancer is necessary to obtain strong acid water and strong kangen water® steadily and continuously. Adding electrolysis enhancer (0.93pt) produces around 3.96 gallons of strong acidic water in around thirty minutes (this figure depends on the water quality).

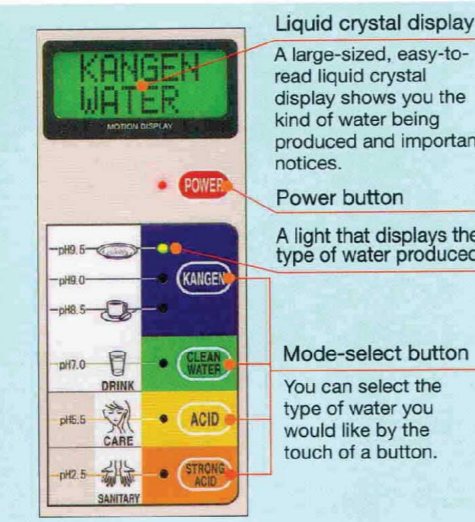


3
You will be guided by a large liquid crystal display

The LCD will inform you. The one-touch panel makes it easy to operate the machine.

A clear, large-sized LCD will inform you of the water being produced (Kangen Water®, acidic water, strong acidic water®, or clean water) and other necessary information. The operation is easy with the touch of a button to power up or select the type of water you would like.

* When you push the button for strong acidic water, the secondary hose releases strong acidic water and the flexible pipe releases strong kangen water® simultaneously.

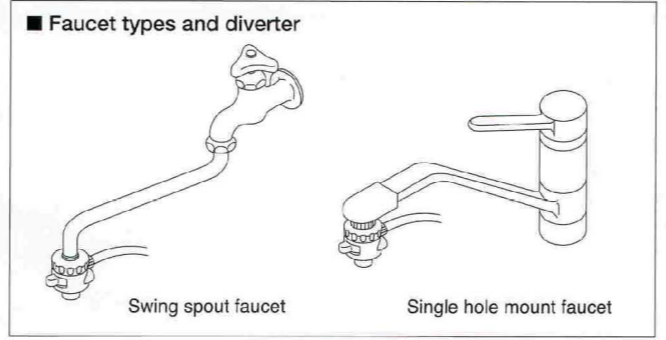


The three-layered, high-powered water-cleaning filter creates delicious water.

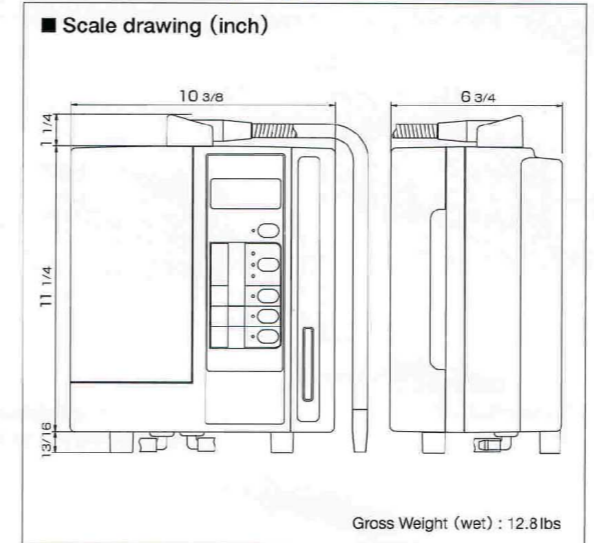


The diverter included with unit will fit almost any type of faucet.

With the one-touch convenience of the diverter, change between



- [Option Items]
- Water Filter for replacement
 - High grade filter for chlorine removalHG-N
 - Glycerol-phosphate Acidic Calcium(3g x 12 packs/box)
 - Electrolysis Enhancer(6bottles of 400ml)
 - E-cleaner \$34, Cleaning Powder \$24



Standard Specifications

MODEL NAME - NUMBER	LevelLuk Jr II TYH-201NF	FILTERING MEDIUM	Anti-bacterial Granular Activated Charcoal & Sulfurous Acidic Calcium
WATER SOURCE CONNECTION	1-way diverter (TAP/ION) connects to end of faucet	FILTRATION ABILITY	INITIAL CHLORINE REMOVAL
POWER SUPPLY	AC 220V, 60Hz (with ground)		95% or greater
POWER CONSUMPTION	Approximately 120W	ELEMENTS NOT REMOVABLE	Metallic ions and/or salinity present in original (tap) water
SYSTEM	Continuous Ionized Electrolysis Water Generator System (with built-in flow rate sensor)	Time to exchange the filter	It depends on the quality of the water
PRODUCTION RATE (gallons / minute)	Kangen Water® : 0.5 - 1.0 gallons Acidic Water : 0.26 - 0.48 gallons Strong Acidic Water : 0.08 - 0.18 gallons	APPLICABLE WATER QUALITY AND PRESSURE	Municipally supplied drinking water: Dynamic range in 100-450 kPa
LEVEL SELECTIONS	<ul style="list-style-type: none"> ● Kangen water®/3 levels (approx. pH8.5-9.5) ● Clean water (neutral) ● Acidic water (approx. pH5.5-6.5) ● Strong Acidic water (approx. pH2.4-2.7) / Strong Kangen water® (approx. pH11.0-) 	ELECTROLYSIS ENHANCER	Solution additive pump system
ELECTROLYSIS CAPABILITY UNDER CONTINUOUS USE	Approx. 30 min. at normal room temperature.	ENHANCER REFILLING	Indicates by buzzer and LCD
CELL CLEANING METHOD	Auto cleaning System	PROTECTOR	Current Limiter/Voltage Stabilizer/Thermal Protection
ELECTRODE MATERIAL	Platinum-plated Titanium		

SAFETY PRECAUTIONS For your own safety, be sure to observe the following precautions

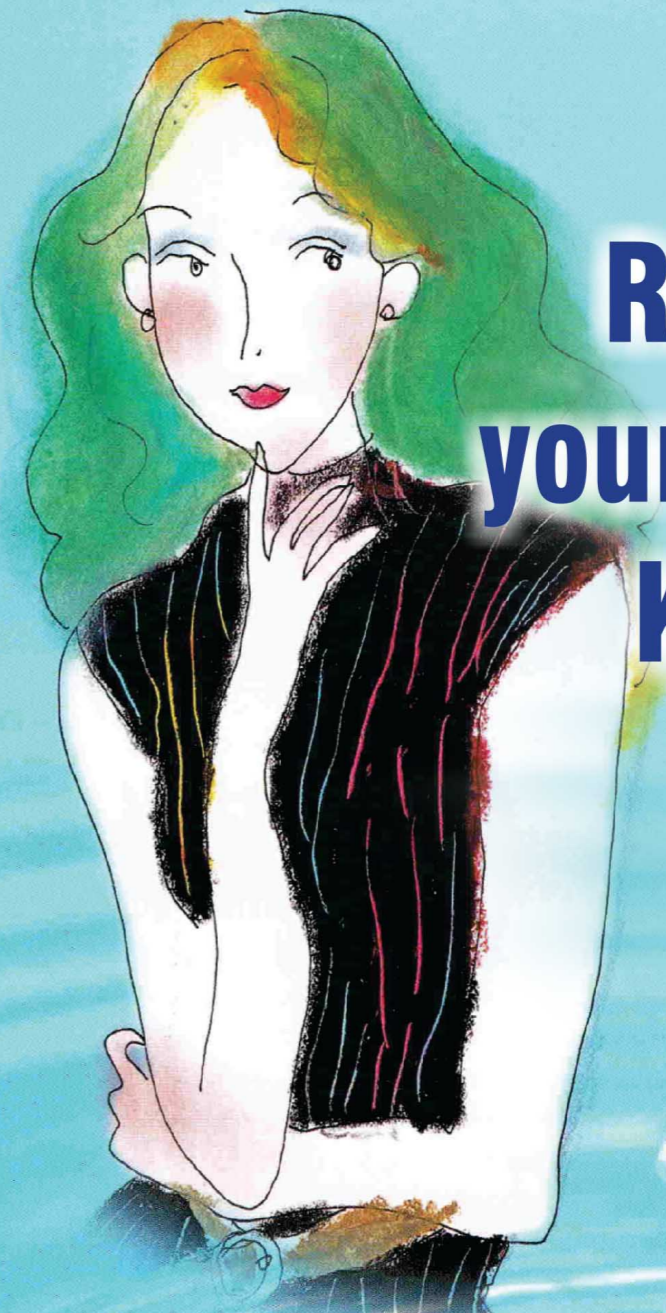
- WARNING**
- Please read the Operation Manual carefully, and then use according to instructions.
 - Pay attention to the following points before consuming ionized alkaline water (KANGEN WATER®) produced by the water production unit.
 - (1) Do not take medicine with KANGEN WATER®
 - (2) Those who have anoxia should not drink KANGEN WATER®
 - (3) Those who feel abnormally after drinking KANGEN WATER® or those who don't show any improvement in symptoms after regular use of it, should consult a doctor or pharmacist before continuing the consumption of KANGEN WATER®
 - Those who are under a doctor's care, or those who are feeling some abnormality in the body, should consult a doctor or a pharmacist before drinking KANGEN WATER®
 - Those who have sensitive skin or allergies should consult a doctor or a pharmacist before use of Acidic Water as an astringent.
 - Those who are feeling discomfort or irritation from Acidic Water for skin care, please discontinue use and consult a doctor.
- CAUTION**
- Those who drink it for the first time.
 - We recommend drinking 1-2 glasses of Kangen Water® at a lower pH of 8.5 everyday for about 2 weeks.
 - For those who get a rash from drinking the water: Stop drinking it, and consult a doctor.
 - All the goods described in this catalogue should be used only in Asia.
 - Use municipally safe, potable water.

- The standard prices of the merchandise described in this catalog do not include sales tax, transportation charges, fees for repairs, installation or replacement charges.
- Specifications and designs of the product are subject to change with or without notice.
- Please be aware that the actual product may differ slightly in color, etc from that seen in print.
- For more information about the product, please inquire with the sales dealer in your district or area.
- Every product has an accompanying warranty card, which shall be filled in and issued by the Representative Sales Firm. Please check the contents and keep it in safe place for later use during the period of warranty.

Distributor

Enagic India Kangen Water Pvt. Ltd.

The Millenia Tower - B, 4th Floor, Unit - 401,
No.1&2, Murphy Road, Ulsoor,
Bangalore - 560008. Karnataka - India.



Revolutionize your Lifestyle with KANGEN Water

Change your Water..
Change your Life..

- An energy-saving, environmentally friendly machine
- Equipped with a built-in electrolysis enhancer tank
- Features a large-size display

The power of Kangen Water® will change your life!

LevelLuk Jr II

Continuous Ionized Electrolysis Water Generator
Approved as a Medical Device by the Japanese Ministry of Health, Labor and Welfare.



FIVE TYPES OF WATER MAKING YOUR BODY, YOUR LIFE, AND YOUR ENVIRONMENT BEAUTIFUL

Sanitary Water

below pH 2.7
Strong Acidic Water

⚠ not suitable for drinking

STRONG ACID button push comes out secondary hose
Concurrently, Strong Kangen Water* will be released from the flexible pipe.

Cleaning and sanitizing power

Strong acidic water has excellent sanitizing power that can prevent food poisoning. Use it to clean and sterilize your produce, meat, and cookware.

- Sanitize your knives, cutting boards and dish towels
- Sanitize your hands
- Clean your skin
- Remove tea incrustations



What is Strong Acidic Water?

Strong Acidic Water is electrolyzed water with electrical potential that contains hypochlorous acid produced at the anode when an electrolysis enhancer is added to the original water and electrolysis occurs. It is not a strongly acidic chemical substance. In general, the pH is below 2.7, and the ORP is over 1,100mV.

Environment friendly water

over pH 11.0
Strong Kangen Water

⚠ not suitable for drinking

STRONG ACID button push comes out flexible pipe
Concurrently, Strong Acidic Water will be released from the secondary hose.

- Cleaning power**
It effectively dissolves and cleans materials.
- Super-swelling effect**
It softens materials quickly.
- Dissolving effect**
It has the ability to dissolve and draw out substances.
- Thermal conduction**
It reduces boiling time.

Strong Kangen Water* has strong, detergent like cleaning power for everyday use.

- To clean cutting boards, knives, and dishes.
- To sterilize vegetables, meat, and fresh fish.
- To remove slime and stains on floor.
- To remove stains from toilet.
- To remove spots from coffee, soy sauce.
- To use for washing clothes in order to reduce the consumption of detergent.
- To remove the harshness of wild vegetables.



★ It will be more effective to clean with strong acidic water after cleaning with strong kangen water.

What is Strong Kangen Water?

Strong Kangen Water* is electrolyzed water with electrical potential that contains sodium hydroxide produced at the cathode when electrolysis enhancer is added to the original water and electrolysis occurs. It is not a strong alkaline chemical substance. In general, the pH is over 11, and the ORP is between -700mV and -850mV.

Healthy Water

pH 8.5 ~ 9.5
Kangen Water

suitable for drinking

KANGEN button push comes out flexible pipe
Concurrently, Acid Water will be released from the secondary hose.

- swelling effect**
It has the power to soften substances.
- Dissolving effect**
It has the ability to draw out substances more readily.
- Thermal conduction**
It reduces boiling time.

Kangen Water* makes your drinking water and dishes more flavorful.

- **With rice**
Use it for washing & cooking. The result is delicious and fluffy rice.
- **With coffee, tea, or green tea**
You will be surprised by the improved color, taste, and aroma. Use less coffee or green tea, and still get full, rich flavor due to its extractive ability.
- **With other strongly acidic foods**
Drink Kangen Water* together when eating strongly acidic foods such as meat and egg yolks. The alkaline water will help your body balance the acidic effects of those foods.
- **In soups and stews**
Kangen Water* draws out the flavor of ingredients so they become tender and juicy. Therefore, less seasoning such as salt and soy sauce is needed. It is perfect for people trying to reduce their sodium intake.
- **Use for washing vegetables**
Use Kangen Water* to remove rawness of onions, bamboo shoots, burdock, or the like.

※ What is ORP (Oxidation Reduction Potential) ?

It is a value that shows the proportion of oxidizing ions (such as chloride ion) and reduction ions (such as calcium ion) in a substance. If this value is shown as negative as compared with the reference value, the substance reduces other substances, and can easily be oxidized. If this value is shown as a positive compared with the reference value, the substance oxidizes others and it can be easily reduced. The unit is most often shown in mV(milivolt), and it is used as an index that shows the degree of antioxidant potential.



Water for beauty

pH 4.0~6.0
Acidic Water

⚠ not suitable for drinking

ACID button push comes out flexible pipe
Concurrently, Kangen Water* will be released from the secondary hose.

- Astringency**
It has the power to tighten substances.
- Cleaning power**
It has the power to purify substances.

Weak acidic water as a beauty product

Acidic water is known to effectively tone your skin. It helps to tone your skin after a bath or shower, or to help close your pores after washing your face.

In boiling pasta and batters for fried foods

All types of noodles and pasta will have a nice sheen and firm texture. It will also enhance the crispiness of fried foods.

For cleaning water

You can remove stains on dishes, cups, glasses, and tiles more easily.



Water of security

pH 7.0
Clean water

suitable for drinking

CLEAN WATER button push comes out flexible pipe
Concurrently, the secondary hose also releases clean water, but please use the water released from the flexible pipe.

When taking medication or preparing baby formula

The three-layered, high-powered, water-cleaning filter removes not only chlorine but also rust, lead, and other impurities. You are left with delicious, clean water that contains only the needed minerals. Don't forget to use clean water when you prepare your baby's formula or when you take medication.

